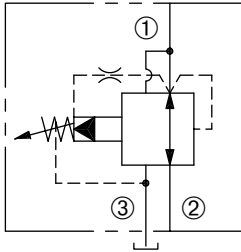


DPRR-080

Adjustable, Pilot-Operated,
Pressure Reducing/Relieving Valve

SERIES 8



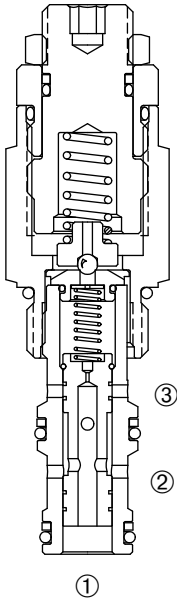
DESCRIPTION

An adjustable, pilot-operated spool cartridge valve designed to regulate pressure in secondary circuits.

OPERATION

The DPRR-080 in steady state will allow bi-directional flow between ① and ② with spring chamber ③ vented. When the preset pressure at ① is achieved, the spool throttles to regulate pressure at ① by restricting flow at ②.

The valve will relieve ① to ③.



FEATURES and BENEFITS

- Hardened precision spool and sleeve for long life.
- Variety of pressure ranges.
- High accuracy of pilot operated design.
- Adjustment prevents spring from going solid.
- Adjustment may be locked in place.
- Tamper resistant option.
- Industry common cavity.
- Compact size.

SPECIFICATIONS

Operating Pressure: 5000 PSI (345 Bar)

Flow: See PRESSURE DROP VS. FLOW graph
Nominal flow 5 GPM (19.0 l/min)

Internal Leakage: 5 in³/min (82 cc/min) max. at 3000 PSI (207 Bar)

Spring Range: 300 to 5000 PSI (20 to 345 Bar)

Preset (See HOW TO ORDER)

Temperature: -30°F to +250°F (-35°C to +120°C)

Recommended Filtration: ISO 19/15

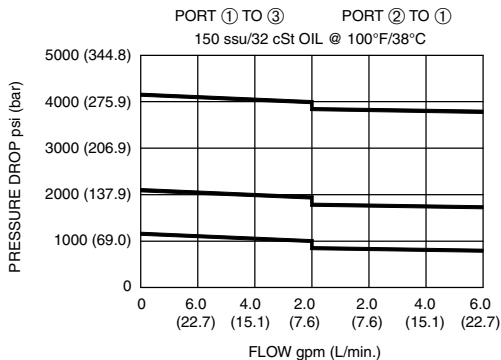
Fluids: Mineral-based fluids.

For other fluid compatibility, consult factory.

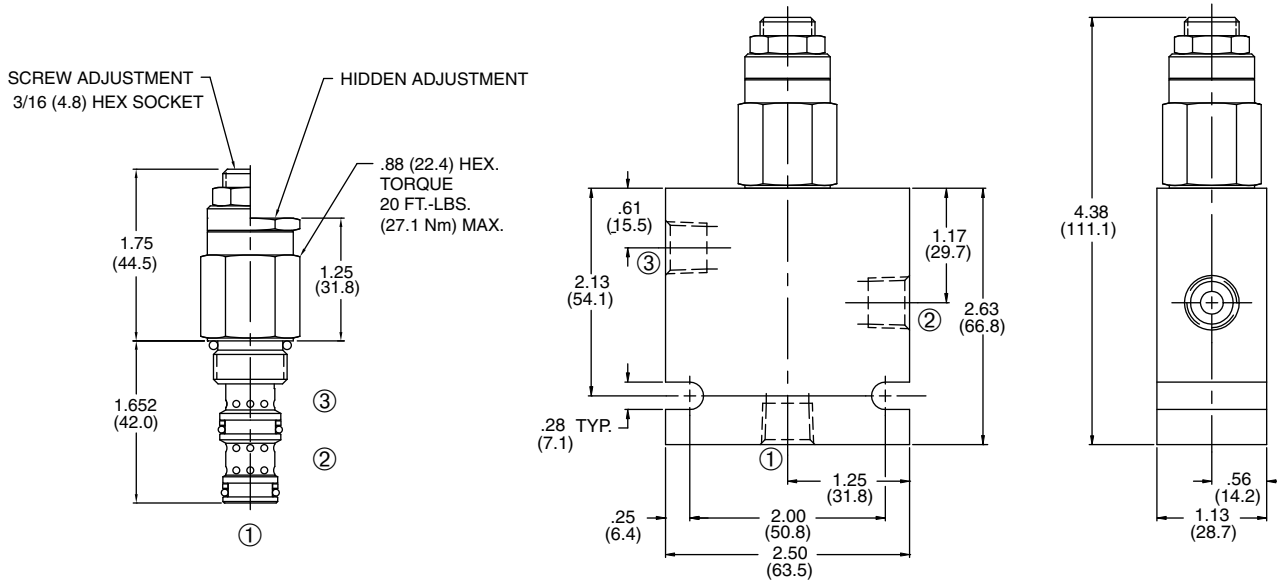
Cavity/Cavity Tool: 080-3, see page 11.08.3

In-Line Body Material: Anodized 6061T6 aluminum
allow rated at 3000 PSI (207 Bar).

PRESSURE DROP VS. FLOW



INSTALLATION DIMENSIONS



() Parentheses = Millimeters

HOW TO ORDER

DPRR - 080 - * - * - ** / ** - ****

REDUCING/RELIEVING
VALVE

CAVITY/SEAL

SEALS

N = Buna N

V = Viton

U = Urethane

ADJUSTMENT STYLE

S = SCREW

H = HIDDEN (TAMPER RESISTANT)

PORTING

2N = 1/4 PTF

3N = 3/8 PTF

6T = SAE 6

8T = SAE 8

Omit for cartridge only.

(Other porting options
available – consult factory.)

FACTORY PRESET PSI

50 PSI increments

(Omit for Std.)

SPRING RANGE

20 = 300 to 2000 PSI (20 to 138 Bar)

Preset: 300 PSI (20 Bar)

40 = 1800 to 4000 PSI (124 to 276 Bar)

Preset: 3000 PSI (207 Bar)

50 = 2000 to 5000 PSI (138 to 345 Bar)

Preset: 4000 PSI (276 Bar)

“U” Urethane option required for pressures above 3000 PSI (207 Bar)

